

camping exploring boating rafting tailgating basecamp ice fishing hunting
photography guiding adventure travel scouts state parks national parks city parks
mountains rivers lakes beach desert just about everywhere - middle of nowhere

www.grubhubusa.com

U.S. and Foreign Patents Pending

Model: GH-t



Take it with you

Tower organizer bag keeps salt/pepper, spices, cooking oil, matches, can opener, etc. at hand.

Spatula rack available

Strong tubular hinging system for trouble free operation

Side pantry available for organizing everything from food to flashlight

Large outer door allows easy access to interior compartments for all kitchen goods

Extra beefy wheels make the GH-t easy to move to any campsite.

Tower makes lighting your outdoor kitchen easy

Aluminum and steel frame
Mountaineering grade pack fabrics
Virtually indestructible plastic tables

Collapsible kitchen sink included

Paper towel rack available

Zippered outer pocket sized for 2 burner stove

Slip pocket holds cutting board

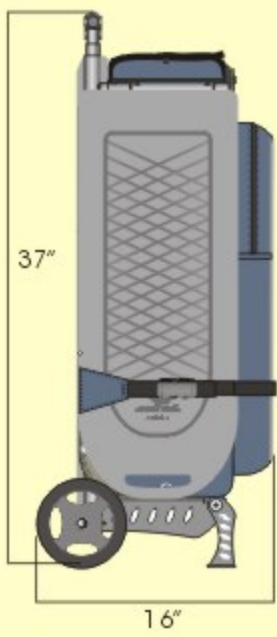
Map pocket

Storage and tie downs for oversize stove/shovel/tarp etc.

Telescoping stabilizers form a solid platform on nearly any terrain.

The world's lightest and most portable all terrain camp kitchens and field stations

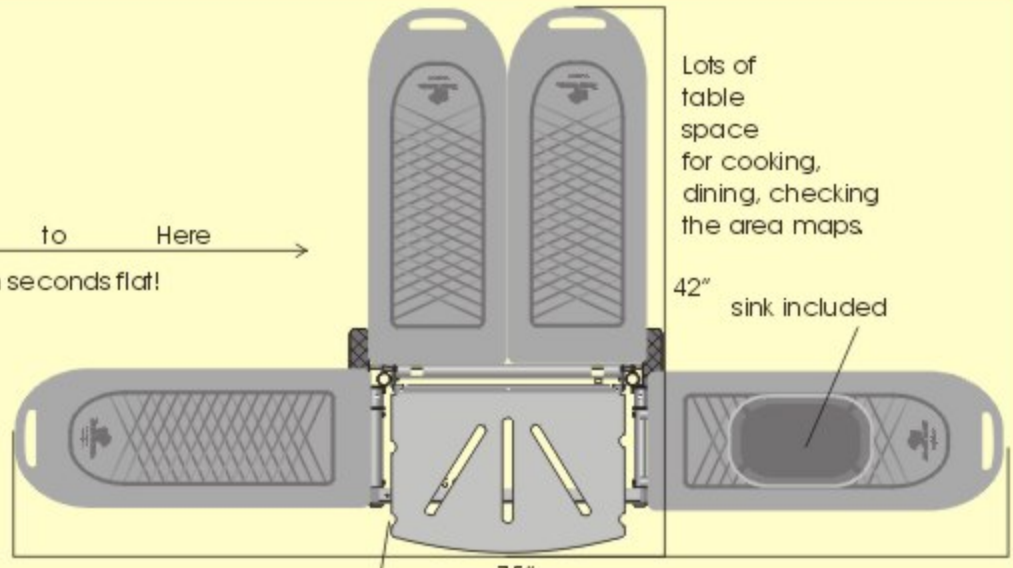
Grub Hub USA 1145 S. Red Cliffs Road Leeds, UT84746 © 2006, 2007 Grub Hub USA All Rights Reserved



37"

16"

Here to Here
in seconds flat!

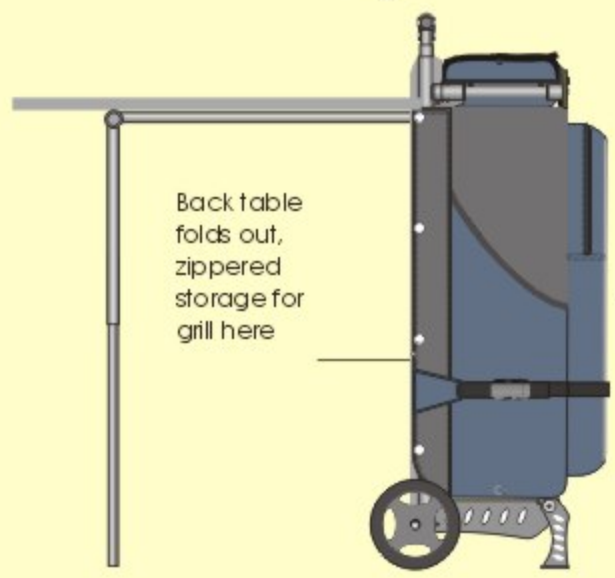


Lots of table space for cooking, dining, checking the area maps

42" sink included

75"

2 burner cook stove fits here (notched for Coleman® models)



Back table folds out, zippered storage for grill here



Makes "roughing it" fun no matter where you camp

Helps families with kids stay organized

Great for tailgate parties

(2 burner stove not included)

adjustable shelves let you customize your kitchen

Lots of organized space for food, pots, pans, spatulas, plates, bowls, flatware, fuel, matches, paper towels, and more!

Front door rolls down for easy access

40"

